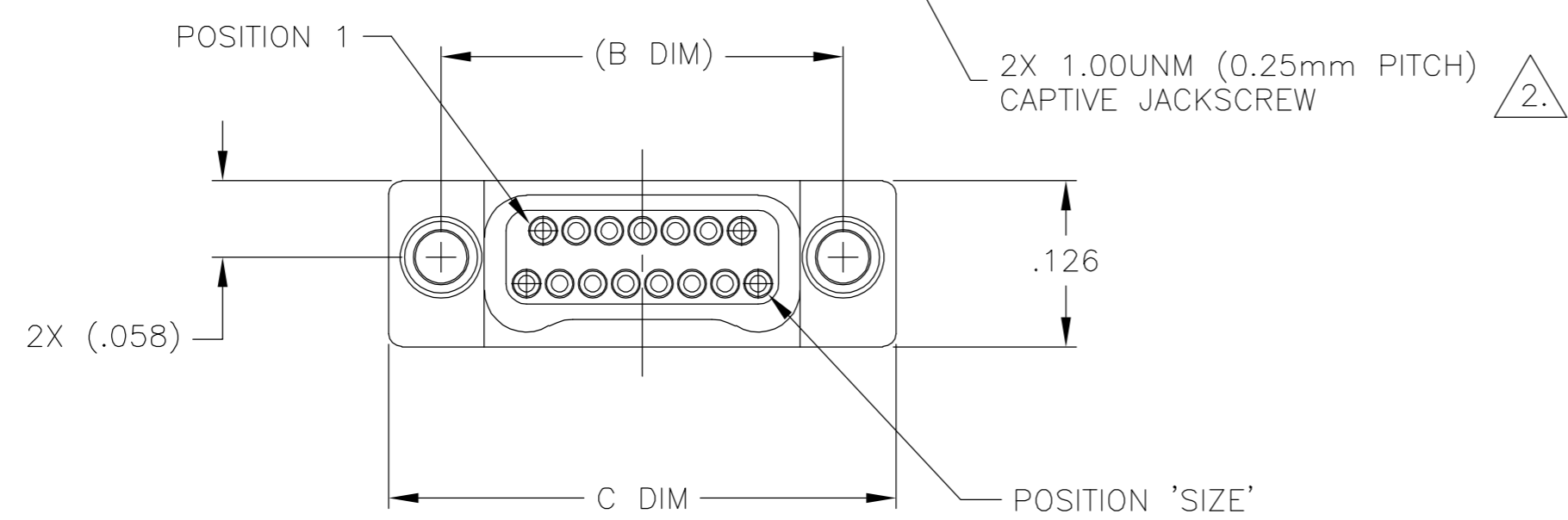
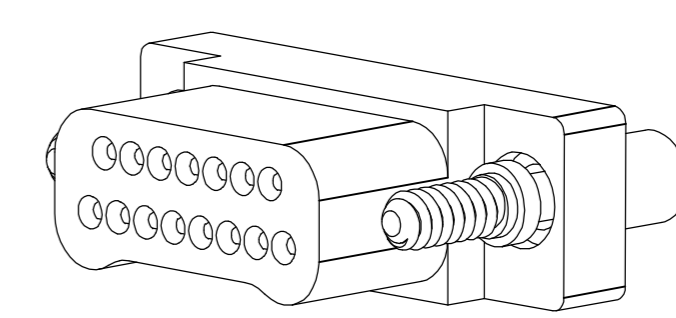
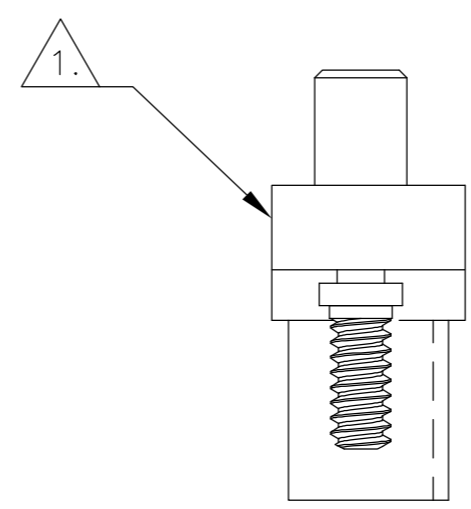
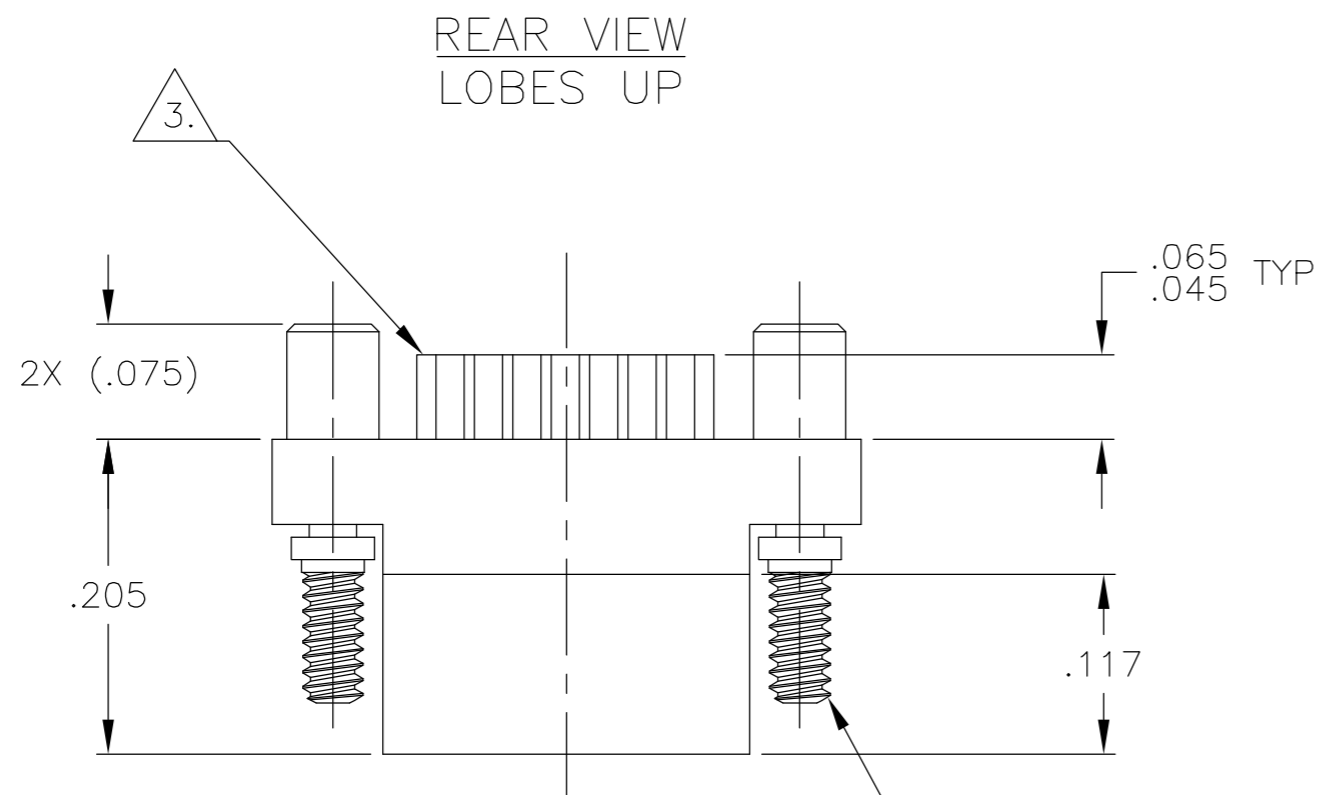
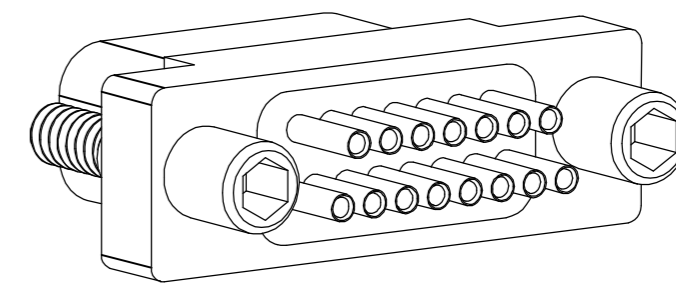
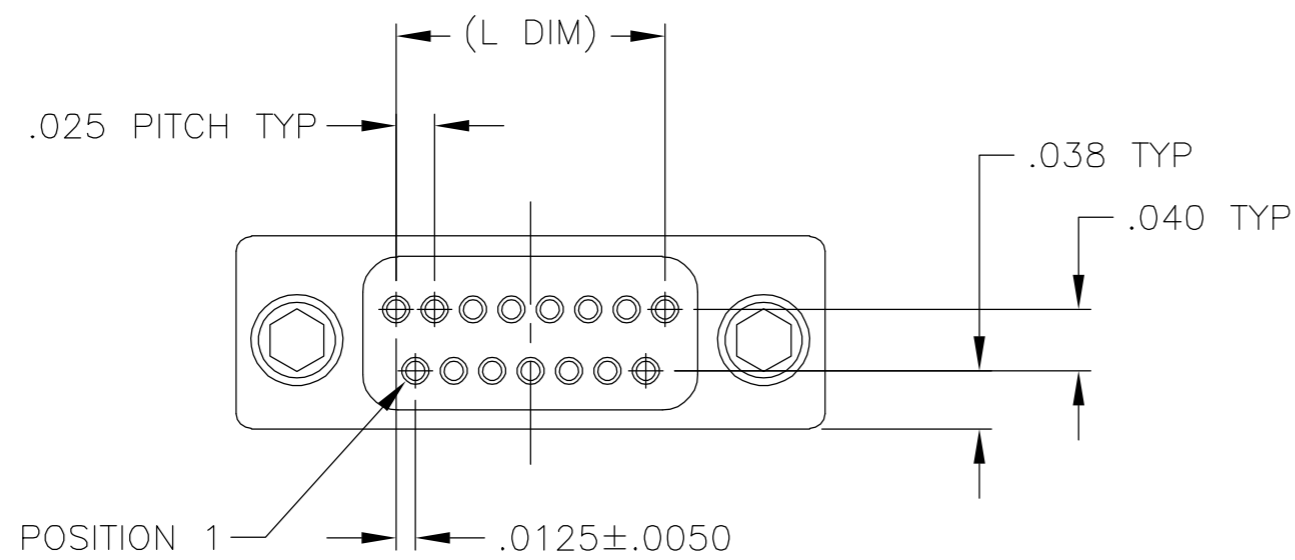


THIS DRAWING IS UNPUBLISHED. RELEASED FOR PUBLICATION
 © COPYRIGHT BY TYCO ELECTRONICS CORPORATION. ALL RIGHTS RESERVED.

| LOC | DIST | REVISIONS | | | | | |
|-----|------|-----------|-----|-------------------------|----------|-----|------|
| DF | DO | P | LTR | DESCRIPTION | DATE | DWN | APVD |
| | | F | | UPDATE PER 0H2Y-0164-04 | 05-12-04 | JDM | MKS |



| SIZE | (B DIM) | C DIM ±.0050 | (L DIM) |
|------|---------|-----------------|---------|
| 09 | (.229) | .3085 | (.100) |
| 15 | (.304) | .3835 | (.175) |
| 25 | (.429) | .5085 | (.300) |
| 37 | (.579) | .6585 | (.450) |
| 51 | (.754) | .8335 | (.625) |
| 65 | (.929) | 1.0085 | (.800) |

- 1. SHELL OPTIONS (TO BE SPECIFIED IN NANONICS PART NUMBER):
 METAL: 6061-T6 ALUMINUM, ELECTROLESS NICKEL PLATED PER MIL-C-26074 (STANDARD) OR GOLD PLATED PER MIL-G-45204
 303 STAINLESS STEEL, PASSIVATED PER SAE-AMS-QQ-P-35
 INSULATOR MATERIAL FOR ALL METAL SHELLS IS LIQUID CRYSTAL POLYMER (LCP) PER MIL-M-24519 OR PER ASTM D5138
 PLASTIC: LIQUID CRYSTAL POLYMER (LCP) PER MIL-M-24519 OR PER ASTM D5138
- 2. STANDARD 1.00UNM CAPTIVE JACKSCREWS ARE SHOWN FOR REFERENCE ONLY AND MUST BE SPECIFIED IN THE NANONICS PART NUMBER WHEN REQUIRED. JACKSCREW MATERIAL IS 303 STAINLESS STEEL, PASSIVATED PER SAE-AMS-QQ-P-35, AND DRY LUBED PER DOD-L-85645. RETAINING RING IS 17-4 STAINLESS STEEL, PASSIVATED PER SAE-AMS-QQ-P-35. JACKSCREWS HAVE A .9mm HEX SOCKET HEAD. 1.20UNM JACKSCREWS ALSO AVAILABLE.
- 3. THIS CONFIGURATION TO HAVE SOLDER CUPS WHICH ARE TO BE TERMINATED BY THE CUSTOMER WITH 30 AWG STRANDED OR SMALLER WIRE. SOLDER CUPS ARE GOLD PLATED PER MIL-G-45204.
- 4. NANONICS TERMINATION CODE: 11500
- 5. THIS DRAWING PREVIOUSLY IDENTIFIED AS NANONICS 303-0019-XX

| | | | |
|--|--|------------------------------|---|
| THIS DRAWING IS A CONTROLLED DOCUMENT. | | DWN D. RYAN 02-12-99 | Tyco Electronics Corporation Harrisburg, PA 17105 |
| DIMENSIONS: INCHES | | CHK M. STORRY 02-16-99 | |
| TOLERANCES UNLESS OTHERWISE SPECIFIED: | | APVD S. KAIN 07-10-00 | NAME PLUG ASSEMBLY, TWO ROW DUALLOBE, SOLDER CUP TERMINATION, PLASTIC OR METAL |
| 0 PLC ± - 1 PLC ± - 2 PLC ± .010 3 PLC ± .005 4 PLC ± - ANGLES ± 1° | | PRODUCT SPEC - | SIZE A2 |
| MATERIAL SEE NOTES | | APPLICATION SPEC - | CAGE CODE 00779 |
| FINISH SEE NOTES | | WEIGHT - | DRAWING NO C=1589053 |
| | | CUSTOMER DRAWING | RESTRICTED TO - |
| | | SCALE 8:1 | SHEET 1 OF 1 |
| | | | REV F |

1589053